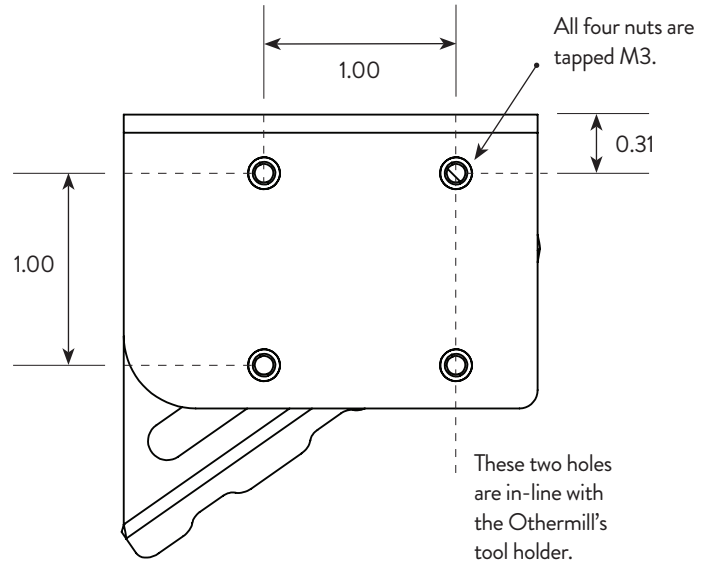
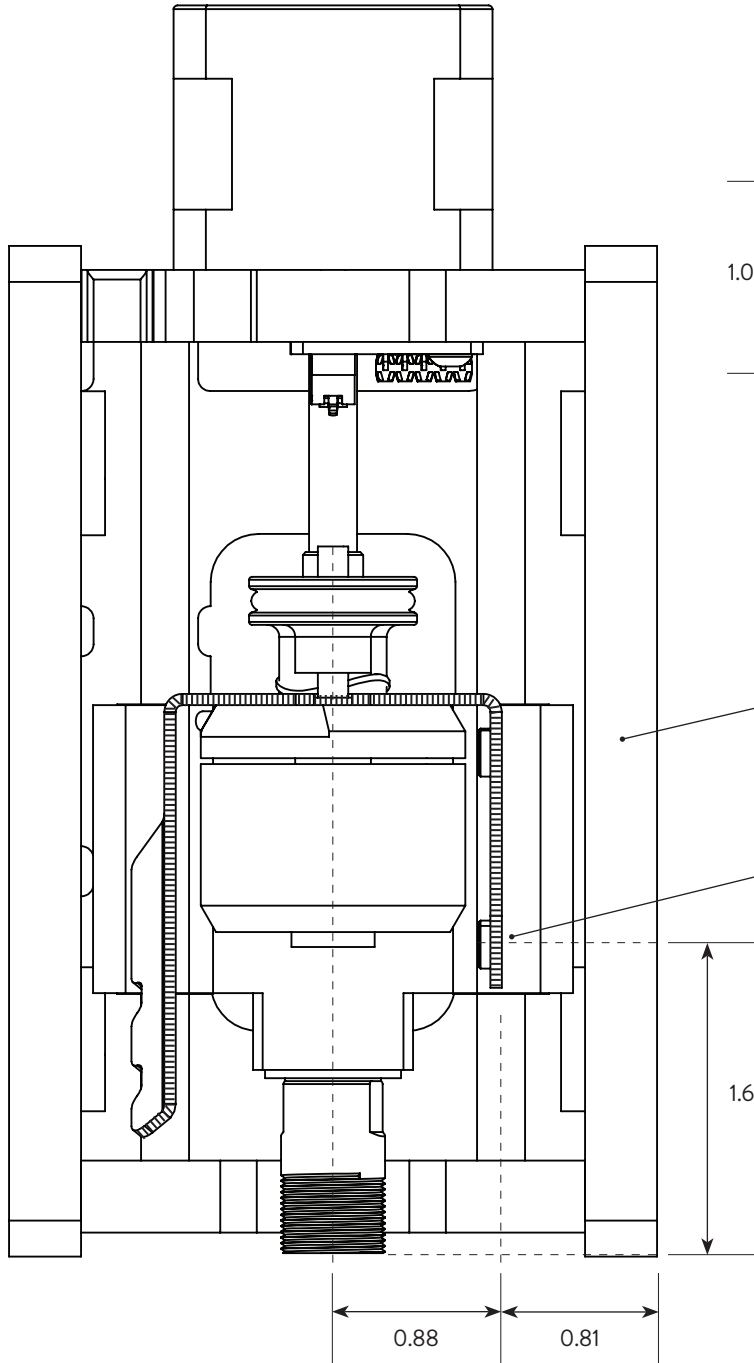




All units in inches unless otherwise indicated.
1:1 scale

FRONT VIEW X-CARRIAGE WITH MOTOR MOUNT

SIDE VIEW MOTOR MOUNT WITH ACCESSORY FIXTURING



If you intend to keep your accessory attached to the motor mount while the Othermill is running, avoid collision by ensuring that the accessory protrudes no more than 0.81 in from the mount.

Due to the tight fit of components in the spindle assembly, the distance with which your accessory screws can protrude from the inside of the motor mount is limited. The two back PEM nuts are nearly flush with the Z block, so we recommend only using screws that will engage with the threads of the nut alone.

The two front PEM nuts are close to the spindle motor, but bolts can protrude roughly 2.5 mm from them before contacting the motor.

OTHERMILL

MOTOR MOUNT

OTHERMILL V2

OTHERMACHINE.CO/SUPPORT
SUPPORT@OTHERMACHINE.CO
Provided for informational purposes only, subject to change.

